



CL0001 & CL001-12-8 Cabinet Lock

Installation Instructions

The cabinet lock is designed to fit into cabinets and lockers with swing or sliding doors. The lock is interchangeable between the **POWER TO LOCK** (see FIG 1) and **POWER TO OPEN** (see FIG 2), two kinds of operation modes.

Two versions are available:

CL0001 which has a 200mm connection cable and operates on 12 or 24 volts DC.

CL0001-12-8 which operates on 12 volt DC only and has an 8 metre connection cable.

This product is typically used on a bank of lockers.

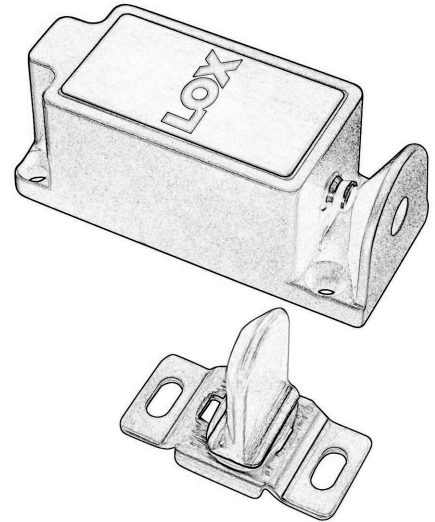
Striker installation:

SIDE ENTRY OF STRIKER

Use the 10mm distance to set the distance from the interior side of the door to the first screw hole of the lock.

FRONT ENTRY OF STRIKER

Use the 37mm distance to set the distance from the backside of the lock to the mounting face of the striker.



Power input 12 VDC or 24 VDC supply (CL0001 only):

Note: There is no polarity on power input.

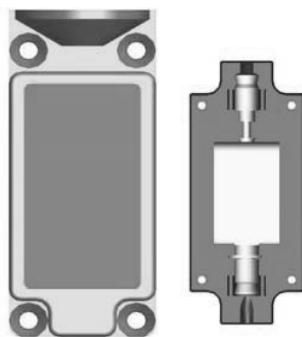
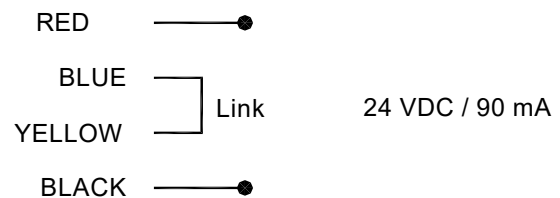
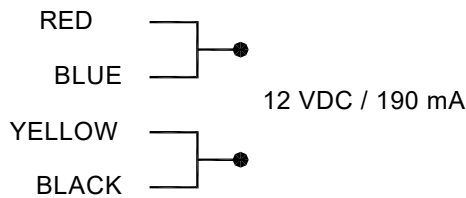


Figure 1: PTL

Interchange between PTL and PTO:

- 1 Remove four screws from bottom
- 2 Remove the bottom case
- 3 Replace the wire in opposite side
- 4 Turn the bottom case 180° horizontally
- 5 Replace the bottom case
- 6 Replace the four screws.

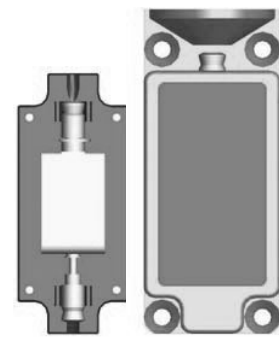
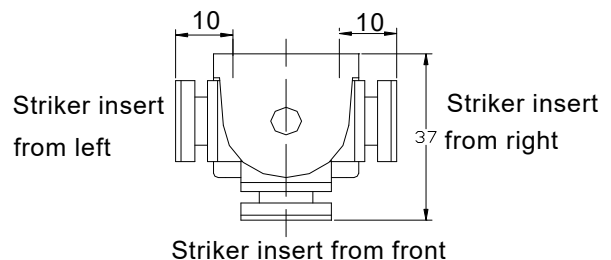
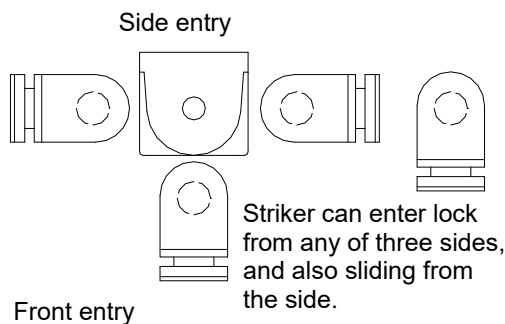
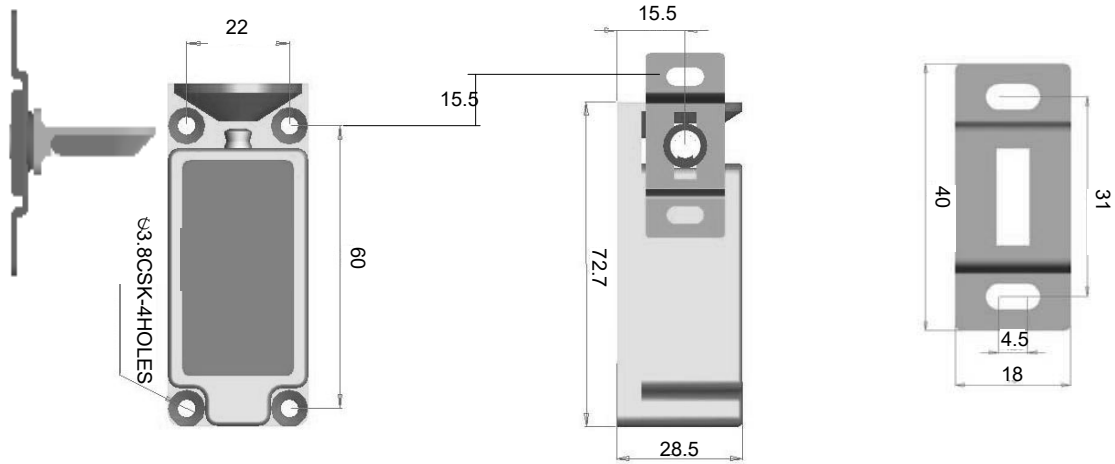


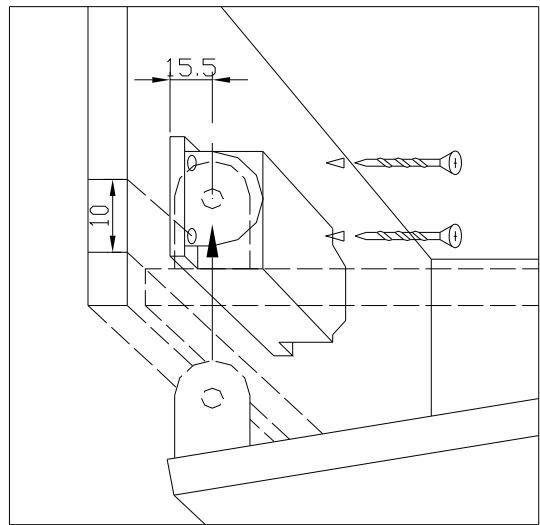
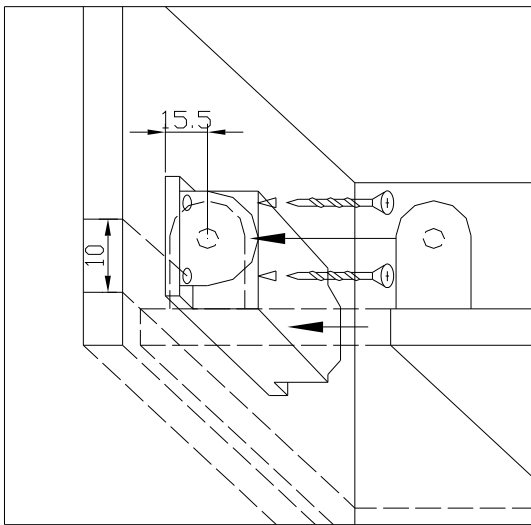
Figure 2: PTO





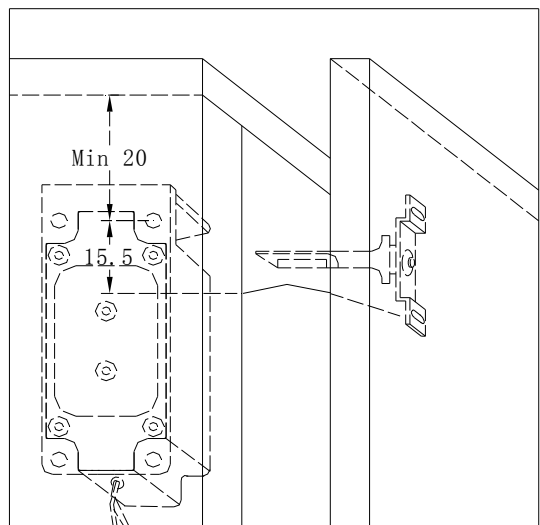
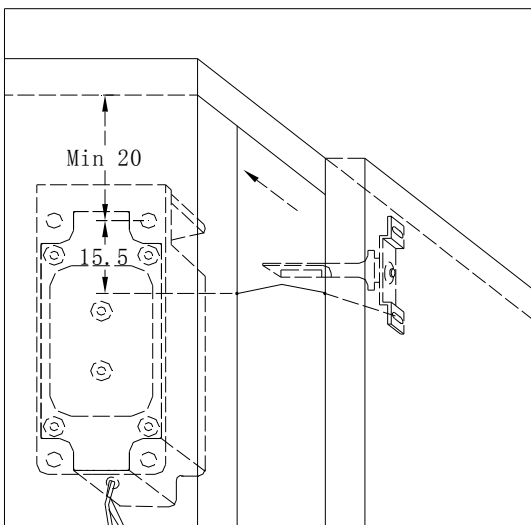
SLIDING DOORS

SWING DOORS



Fit door lock first

Fit door lock first



Fit striker second

Fit striker second