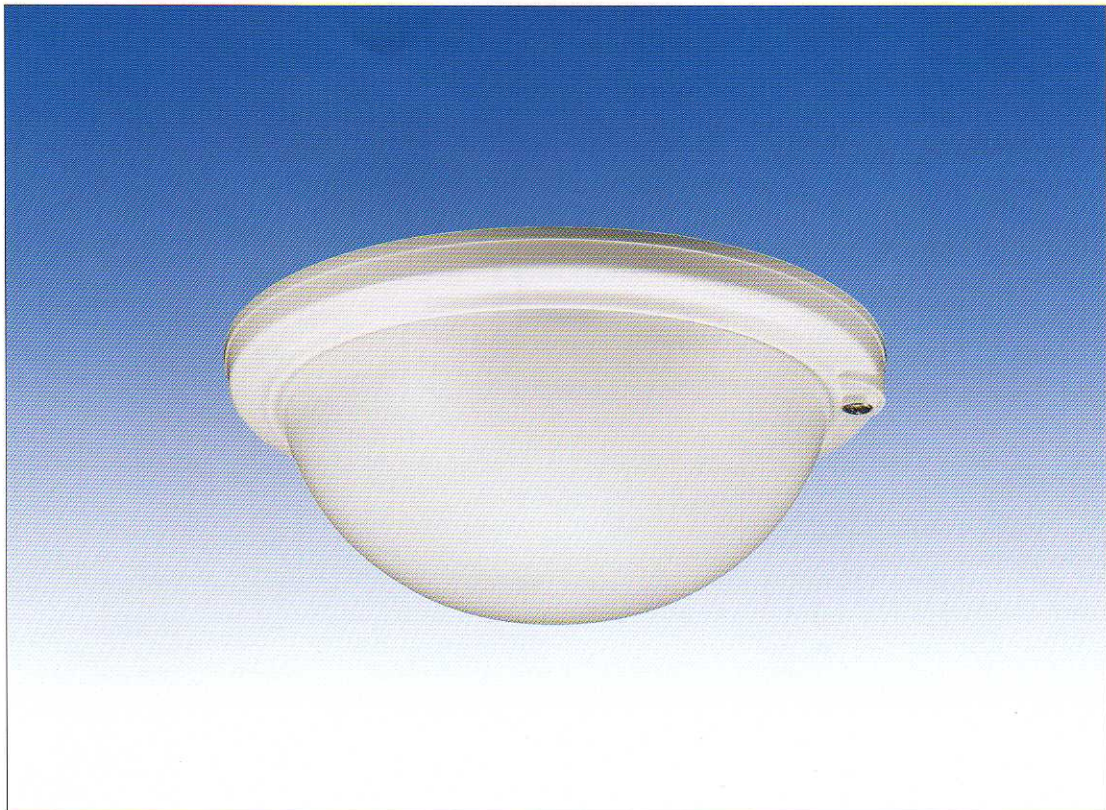


# PASSIVE INFRARED SENSOR

## PA-6412PI : Wide angle protection



## PA-6412PI Ceiling Mount Mirror Optic Pet Immune Sensor with Simulation Software

The attractive dome design of the PA-6412PI blends in unobtrusively in all locations. Efficient ceiling mount provides ease of installation, plus PULNiX incomparable high quality and performance reliability, ensures a trouble free system.

### MIRROR OPTICS

Parabolic Mirror Optics provides clearly defined detection zones.  
Rotatable mirror ensures precise setting of detection range.

### PET IMMUNITY

Enhanced Discrimination Technology with our new mirror design "Plus Simulation Software" prevents false detection of animals smaller than 40Lbs (18Kg)

### INSECT PROTECTION

The PA-6412PI is reliably sealed against the intrusion of insects, dust and drafts by an efficient dome cover and cable entry sealing device.

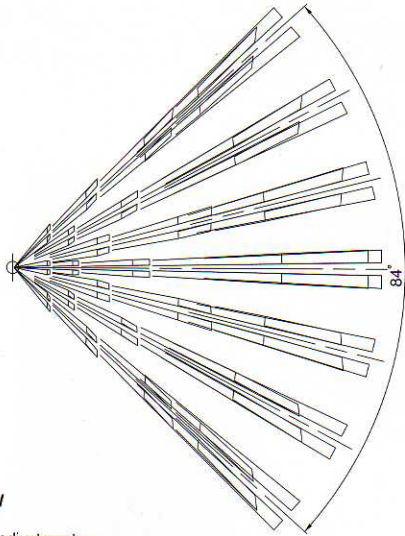
### SILENT RELAY

Using a photo-mos FET switch for alarm output eliminates mechanical moving parts and results in complete silent operation.

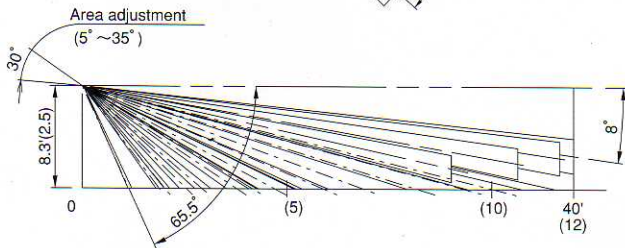
# PASSIVE INFRARED SENSOR

## ■ COVERAGE RANGE (Unit:ft(m))

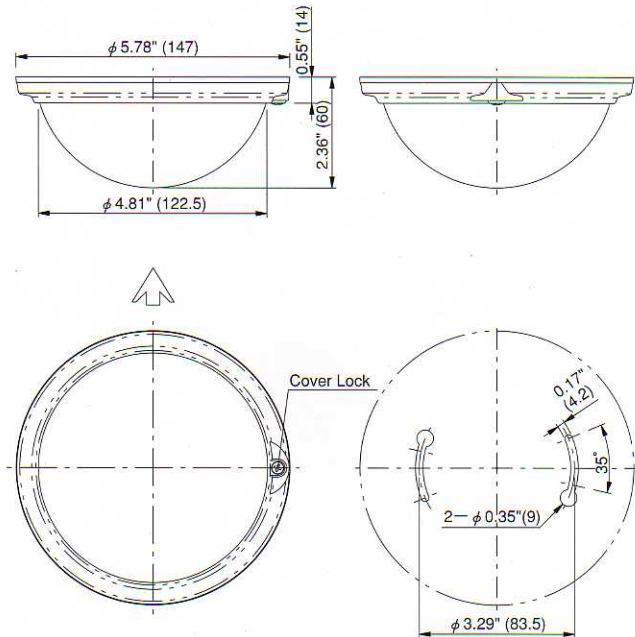
### ● Top view



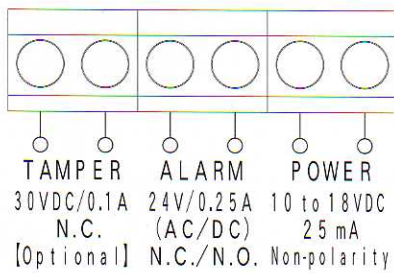
### ● Side view



## ■ EXTERNAL DIMENSIONS (Unit:inch(mm))



## ■ TERMINAL ARRANGEMENT



### [ Allowable wiring distance between sensor and power source ]

Size of wire used	Distance at 12VDC
AWG 22 (Dia. 0.65mm)	830ft. (250m)
AWG 20 (Dia. 0.80mm)	1470ft. (450m)
AWG 18 (Dia. 1.00mm)	2300ft. (700m)

## ■ SPECIFICATIONS

Model	PA-6412PI
Detection system	Passive infrared
Coverage	Wide angle 40' (12m) / 84' MAX
Sensitive zone	62 (31 pairs)
Supply voltage	10 to 18VDC (non-polarity)
Current consumption	25mA MAX
Alarm output	Dry-contact (Semi-Conductor) N.O./N.C. selectable Reset : Approx. 2sec Rating : 24V, 0.25A MAX Protective resistance : 3.3Ω
Alarm LED (Red)	Blinking at warming up Lighting at alarm
Feature	Pulse count : 2/4selectable Alarm LED disable : Selectable Alarm contact : N.O./N.C. selectable Sensitivity : STD/FINE selectable Area adjustment : Vertical 30° Horizontal 35° (on mounting hole of the base) Low voltage notice : Dry contact alarm
Ambient temperature range	-15°C to +55°C (+5°F to +131°F) without condensation
Mounting position	Indoor ceiling
Wiring connection	Terminal
Weight	160g (5.6oz)
Appearance	Body : ABS rein Cover : PE resin

The specifications are subject to change without notice.

**Please note :** This sensor is designed to detect intrusion and to initiate an alarm; it is not a burglary-preventing device. PULNiX is not responsible for damage, injury or losses caused by accident, theft, Acts of God (including inductive surge by lightning), abuse, misuse, abnormal usage, faulty installation or improper maintenance.

LEAF09-02P18-1

# PULNiX

### In Japan

**Takenaka Engineering Co., Ltd**  
 83-1, Gojo-sotokan,  
 Higashino, Yamashina-ku,  
 Kyoto 607-8156, Japan  
 Tel : 81-75-501-6651  
 Fax: 81-75-593-3816  
<http://www.takex-eng.co.jp/>

### In the U.S.

**Pulnix Sensors Inc.**  
 230 E. Caribbean Drive  
 Sunnyvale,  
 CA 94089, U.S.A.  
 Tel : 408-747-0100  
 Fax: 408-734-1100  
<http://www.pulnixsensors.com/>

### In Australia

**Pulnix Sensors Inc.**  
 Unit 16, 35 Garden Road,  
 Clayton, Victoria 3168,  
 Australia  
 Tel : 03-9546-0533  
 Fax: 03-9547-9450  
<http://www.pulnixsensors.com.au/>

**Pulnix Sensors Inc.**  
 Brisbane office : 1/50 Logan  
 Road, Woolloongabba  
 Queensland  
 4102, Australia  
 Tel : 07-3891-3344  
 Fax: 07-3891-3355

### In the U.K.

**Pulnix Europe Ltd.**  
 Pulnix House, Aviary Court,  
 Wade Road, Basingstoke,  
 Hampshire. RG24 8PE, U.K.  
 Tel : 01256-475555  
 Fax: 01256-466268  
<http://www.pulnix.co.uk/>