



# C11-082-32-120 PoE Switch

## Quick Installation Guide

### INTRODUCTION

The C11-082-32-120 is a 8xFE PoE + 2xGbE Combo Ex PoE switch capable of feeding 15.4/30W (56V max. per port) power to Power over Ethernet (PoE) devices.

### PACKAGE CONTENTS

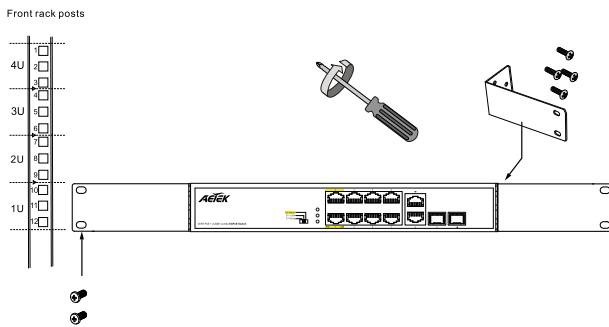
* 1x PoE switch	* 1x Quick Installation Guide
* 2x rack mount ears	* 1x power cord (type by the shipped-to area)

### ⚠ IMPORTANT:

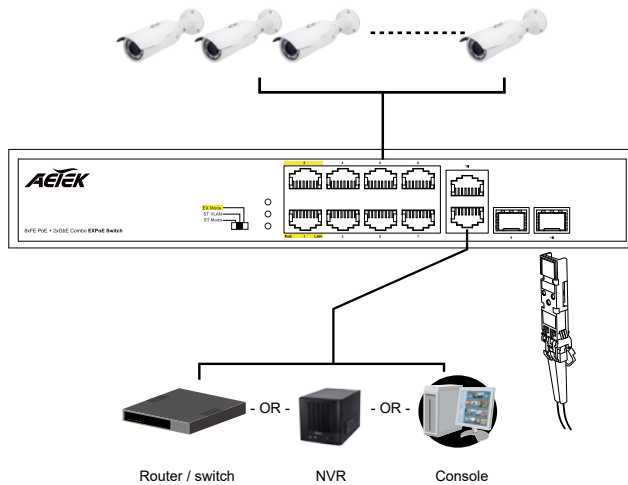
1. Install the PoE switch in a ventilated and dry place that is free of electromagnetic source, vibration, moisture, and dust.
2. Make sure the ventilation openings on the switch are not blocked.
3. Use CAT5 or 6 UTP/STP cables.
4. AC input (100~240V/AC, 50~60Hz, 2.5A)

### CONNECTION

#### Rack-mounting



#### Connections

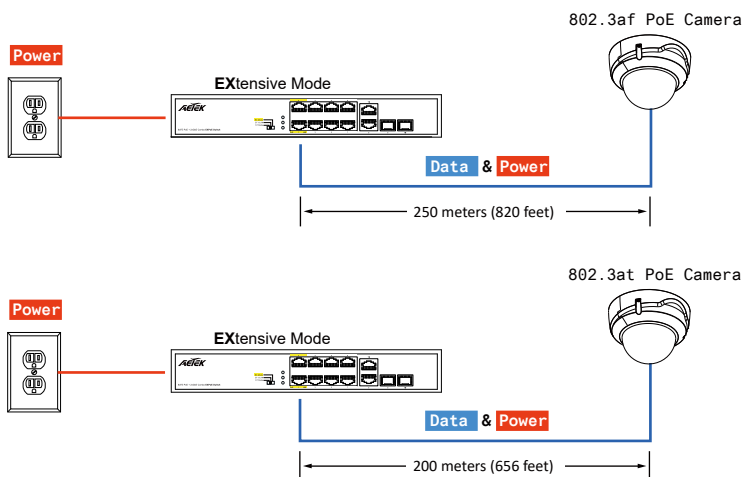


Use SFP, LC type transceiver with 100Mbps or 1Gbps transfer speed in Single mode (10km,30km,50km,80km) or Multi mode (0.5m or 2km) or Bidi (10km,30km,50km,80km).

### LED DEFINITIONS

<b>PWR</b>	Green ON	Power is on and normal.
	Green OFF	Power is off.
<b>LAN</b>	Green ON	Ethernet port is connected.
	Blinking	Data is being transmitted and received.
	Green OFF	No connection.
<b>GbE 9,10</b>	Green ON	Ethernet port is connected
	Blinking	Data is being transmitted and received
	Green OFF	No connection
<b>PoE</b>	Orange ON	Port is enabled and supplying power to connected device.
	Blinking	An abnormal state, such as overload status, has been detected in the switch.
	Orange OFF	Port has no active network cable connected, or it is not established a link to connected device.

## EXTENSIVE MODE DIP SWITCH



**ST Mode:** normal communication between port 1~10.

**ST VLAN:** 1-8 port can be isolated each other but 1-8 port can connect to 9~10 port after open VLAN to stop broadcast Storm to increase forwarding rate of frame.

**EX Mode:** 1-8 port can be isolated each other but 1-8 port can connect to 9~10 port after open VLAN to stop broadcast storm to increase forwarding rate of frame. The EX mode (Port 1 & 2), Up to 250m PoE distance allows you to expand you network via Ethernet cable to where there is no power line or outlet but where you want to fix device such as IP Camera.

- EX mode reaches 802.3af(12.95W) camera up to 250m@10Mbps via EXPoE ports
- EX mode reaches 802.3at(24W) camera up to 200m@10Mbps via EXPoE ports

Restart the switch after changing the Extensive mode.

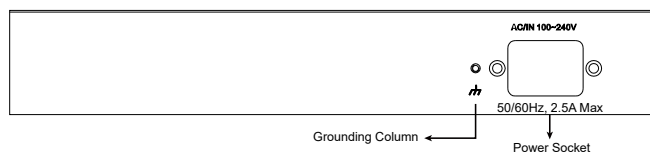
\*Effect factors

1. Must connect at PoE PD.
2. Poor cabling quality with insufficient copper.
3. IP camera's networking design could not support 10Mbps@250m transmission.

\*\*Suggestion

1. Checking the interoperability reaching 10Mbps@250m before physical deployment.
2. Adjust to "EX Mode OFF" reaching 10/100Mbps@100m if "EX Mode ON" is fail.

## GROUNDING COLUMN



The switch already comes with lightning protection mechanism. You can also ground the switch through the PE (Protecting Earth) cable of AC cord or with Ground Cable.

All specifications are subject to change without notice.  
Copyright © 2020 AETEK INC. All rights reserved.

AETEK INC.  
3F, No.192, Lien-Cheng Rd., Chung-Ho, New Taipei City, 235, Taiwan, R.O.C.  
| T: +886-2-82452822 | W: www.aetektec.com | E: sales@aetektec.com