

DS-2CD2T27G1-L 2 MP ColorVu Fixed Bullet Network Camera



Key Features

- Max. 1920 × 1080 @30fps
- 4 mm/6 mm fixed lens
- H.265+, H.264+
- 120dB WDR
- 0.0035 Lux @ (F1.0, AGC ON), 0 Lux with Light
- 12 VDC & PoE (802.3af, class 3)
- Built-in micro SD/SDHC/SDXC slot, up to 128G
- IP67
- BLC/3D DNR/HLC/ROI
- Full time color



Specification

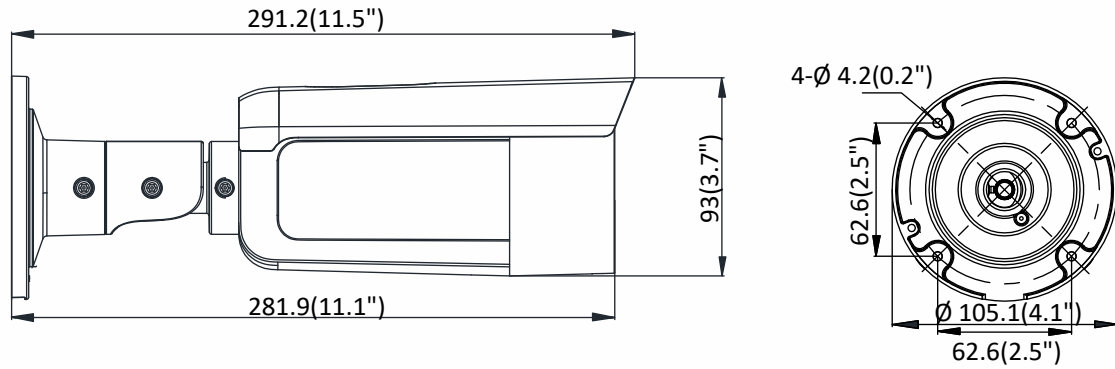
Camera	
Image Sensor	1/2.8" Progressive Scan CMOS
Min. Illumination	0.0035 Lux @ (F1.0, AGC ON), 0 Lux with Light
Shutter Speed	1/3 s to 1/100,000 s
Slow Shutter	Yes
DNR	3D DNR
Wide Dynamic Range	120dB
Angle Adjustment	Pan: 0° to 360°, tilt: 0° to 90°, rotate: 0° to 360°
Lens	
Focal length	4/6 mm
Aperture	F1.0
Focus	Fixed
FOV	4 mm, horizontal FOV: 89°, vertical FOV: 46°, diagonal FOV: 106° 6 mm, horizontal FOV: 56°, vertical FOV: 30°, diagonal FOV: 66°
Lens Mount	M16
Compression Standard	
Video Compression	Main stream: H.265/H.264 Sub-stream: H.265/H.264/MJPEG Third stream: H.265/H.264
H.264 Type	Main Profile/High Profile
H.264+	Main stream supports
H.265 Type	Main Profile
H.265+	Main stream supports
Video Bit Rate	32 Kbps to 16 Mbps
Smart Feature-set	
Behavior Analysis	Line crossing detection, intrusion detection, object removal detection, unattended baggage detection
Exception Detection	Scene change detection
Face Detection	Yes
Image	
Max. Resolution	1920 × 1080
Main Stream	50Hz: 25fps (1920 × 1080, 1280 × 960, 1280 × 720) 60Hz: 30fps (1920 × 1080, 1280 × 960, 1280 × 720)
Sub-Stream	50Hz: 25fps (640 × 480, 640 × 360, 320 × 240) 60Hz: 30fps (640 × 480, 640 × 360, 320 × 240)
Third stream	50Hz: 25fps (1920 × 1080, 1280 × 720, 640 × 360, 352 × 288) 60Hz: 30fps (1920 × 1080, 1280 × 720, 640 × 360, 352 × 240)
Image Enhancement	BLC/3D DNR/HLC
Image Settings	Rotate mode, saturation, brightness, contrast, sharpness, AGC, white balance adjustable by client software or web browser
Day/Night Switch	Day/Night
ROI (Region of Interest)	Support 1 fixed region for main stream and sub-stream separately
Network	
Network Storage	Support micro SD/SDHC/SDXC card (128G) local storage, NAS (NFS,SMB/CIFS), ANR

Alarm Trigger	Motion detection, video tampering detection, network disconnected, IP address conflict, illegal login, HDD full, HDD error
Protocols	TCP/IP, ICMP, HTTP, HTTPS, FTP, DHCP, DNS, DDNS, RTP, RTSP, RTCP, PPPoE, NTP, UPnP, SMTP, SNMP, IGMP, 802.1X, QoS, IPv6, UDP, Bonjour
General Function	One-key reset, anti-flicker, three streams, heartbeat, mirror, password protection, privacy mask, watermark, IP address filter
Firmware Version	V5.5.82
API	ONVIF (PROFILE S, PROFILE G), ISAPI
Simultaneous Live View	Up to 6 channels
User/Host	Up to 32 users 3 levels: Administrator, Operator and User
Client	iVMS-4200, Hik-Connect, iVMS-4500, iVMS-5200
Web Browser	Plug-in required live view: IE8+, Chrome 41.0-44, Firefox 30.0-51, Safari 8.0-11 Plug-in free live view: Chrome 45.0+, Firefox 52.0+
Interface	
Communication Interface	1 RJ45 10M/100M self-adaptive Ethernet port
On-board Storage	Built-in micro SD/SDHC/SDXC slot, up to 128 GB
Reset Button	Yes
General	
Operating Conditions	-30 °C to +60 °C (-22 °F to +140 °F), humidity 95% or less (non-condensing)
Power Supply	12 VDC ± 25%, 5.5 mm coaxial power plug PoE (802.3af, class 3)
Power Consumption	12 VDC, 0.7 A, max. 9 W PoE: (802.3af, 36 V to 57 V), 0.3 A to 0.1 A, max. 10.5 W
Visible Light Range	Up to 30m
Protection Level	IP67
Material	Front cover: metal, back cover: metal
Dimension	Camera: Φ 105 × 290.7 mm (Φ 4.1" × 11.4") With package: 385 × 190 × 180 mm (15.2" × 7.5" × 7.1")
Weight	Camera: 1200 g (2.6 lb.) With package: 1800 g (4 lb.)

Available Model

DS-2CD2T27G1-L (4/6 mm)

Dimension



Unit: mm(inch)

Accessory



DS-1260ZJ
Junction Box



DS-1280ZJ-S
Junction Box



DS-1275ZJ-S-SUS
Vertical Pole Mount



CENTRAL SECURITY DISTRIBUTION

An Anixter Company

1300 319 499

csd.com.au