

CP-32BZ-LB Series

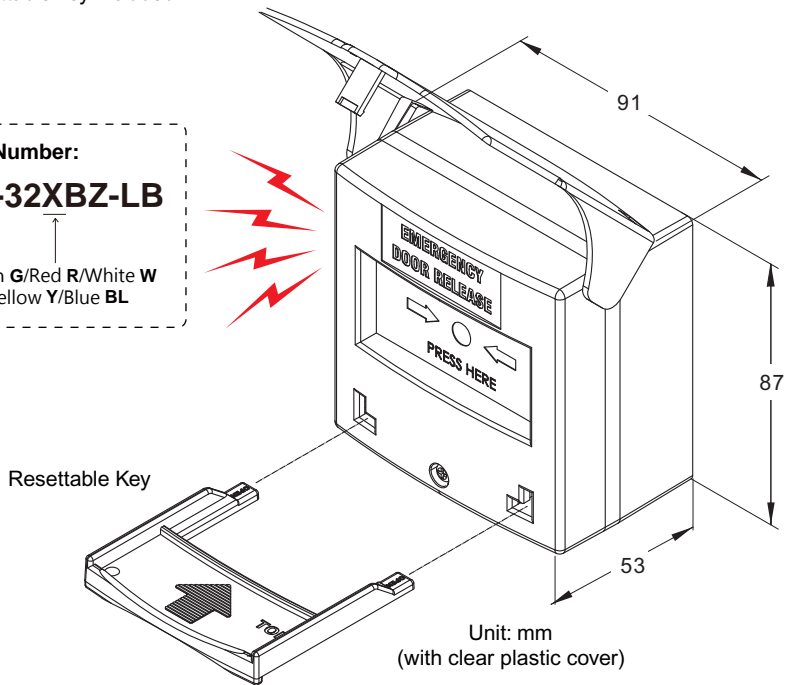
Resettable Call Point Operation Manual

(Blue Backlight & Built-in Buzzer)

- Operating voltage: 12/24VDC (factory default 24VDC)
- Dimensions: 87x91x53 mm (with clear plastic cover)
- Contact resistance: 100mΩ
- Rating: Up to 5A 125/250 VAC
- Double pole (switch 1 (NC/COM/NO), switch 2 1A at 30VDC)
- Backlight illumination: Blue
- Built-in buzzer: 80dB
- Plastic case: Green / Red / White / Yellow / Blue
- Resettable key included

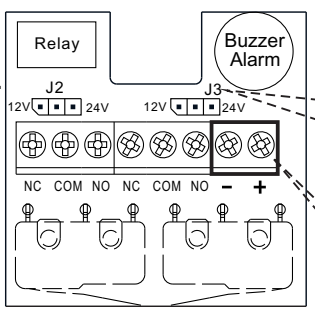
Part Number:
CP-32XBZ-LB

Green **G**/Red **R**/White **W**
Yellow **Y**/Blue **BL**



Unit: mm
(with clear plastic cover)

Caution:
Voltage settings for J2 and J3 must be the same. Failure to correctly set the input voltage will cause damage to the product.



Step 1
Set the voltages at J2 and J3 by using the jumpers based on your input voltage.



Step 2
Apply power.

