



SECURITY PRODUCTS

X2-REED-301 DATASHEET

Overview

X2-REED-301 is a mini heavy-duty metal reed switch, supplied with 480mm of armoured cable. It is used to detect the open / closed state of doors or windows and is ideal for fire doors, roof hatches or anywhere requiring the robustness of a smaller sized heavy-duty reed switch.

Item Code	Description
X2-REED-301	Mini Heavy Duty Metal Reed Switch, Surface Mount, 30mm Gap

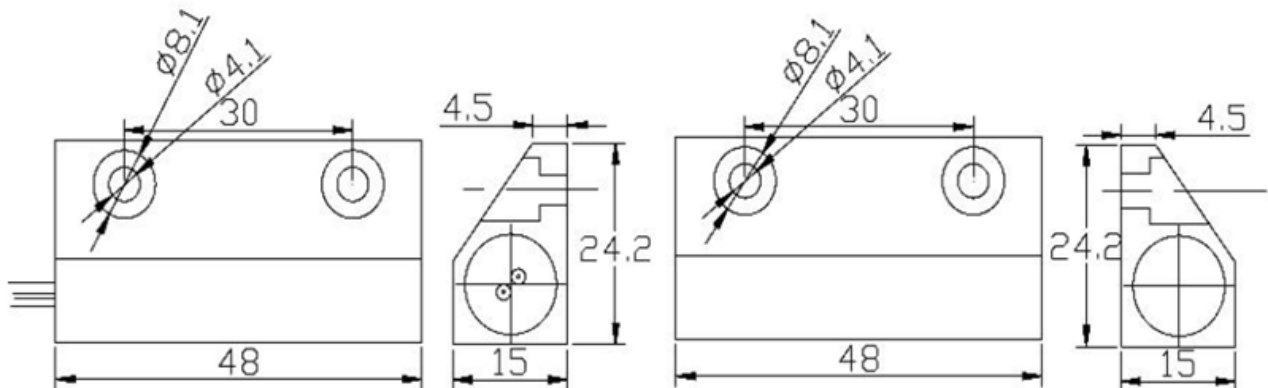
Specifications

- Approved: CCC / CE / FCC / RoHS
- Contact type: NC
- Operating gap: 30mm
- Max. switching voltage: 100V DC/AC
- Max. switching current: 0.5A
- Operating load: 10W
- Working temperature: -20~80°C
- Working life: >100,000 times
- Connection type: 480mm armoured cable
- Material: ZINC alloy
- Colour: silver
- IP65 Rated



Additional Information

Warranty	12 Months
----------	-----------



Features and specifications are subject to change without notice. E&OE.