

## L-VJM10A/EN(C) L-VJM10A/EN Unidirectional Projection Loudspeaker

- Intelligible voice and superior sound reproduction
- Ceiling or wall mount
- Meets virtually any outdoor requirements
- EN54-24 certified
- AS ISO 7240-24 Certified Type B Speaker
- Complies with IP65 standard
- Available with or without capacitor(part number without “C”)

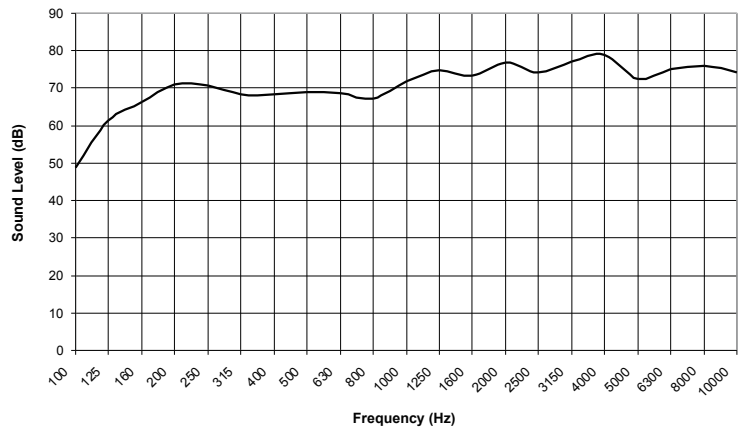


L-VJM10A/EN is a high-performance 10W voice alarm unidirectional projection loudspeaker. It provides a broad frequency response range, low distortion and high sound pressure level for accurate and intelligible broadcast of evacuation messages and high quality sound reproduction. It can be used in indoor, outdoor, dry, or wet applications, providing reliable operations over wide temperature and humidity ranges. Its low-profile, white color design blends easily with most interiors in locations such as hotels, conference rooms, cinemas, theme parks, factories and exhibitions. This voice alarm unidirectional projection loudspeaker complies with BS 5859-8, EN54-24 and AS ISO 7240-24.

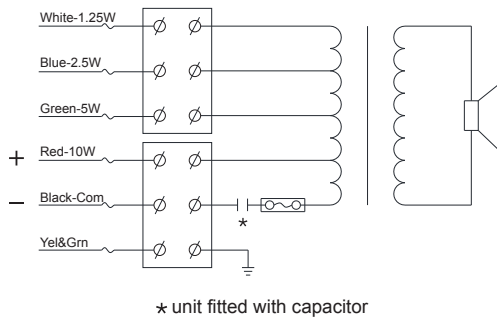
### Technical Specifications

Model	L-VJM10A/EN(C) L-VJM10A/EN
Max power	20 W
Rated power	10 W
Power taps @ 100V	10 W / 5 W / 2.5 W / 1.25 W
SPL at 10W/1W (100Hz-10KHz,1m)	98 dB / 90 dB
SPL at 10W power/1W (100Hz-10KHz,4m)	86 dB / 78dB
Frequency response(-10 dB)	150 Hz - 20 KHz
Rated input voltage	100 V / 70 V
Rated impedance	1 K $\Omega$ / 2 K $\Omega$ / 4 K $\Omega$ / 8 K $\Omega$
Connection	Fire-resistant Cable
Dimensions(D x L)	$\Phi$ 140 mm x195 mm
W eight	2.62 Kg
Color	White (RAL9003)
Material	Aluminum
DC Blocking Capacitor	Yes (2.7uF) L-VJM10A/EN(C) No L-VJM10A/EN

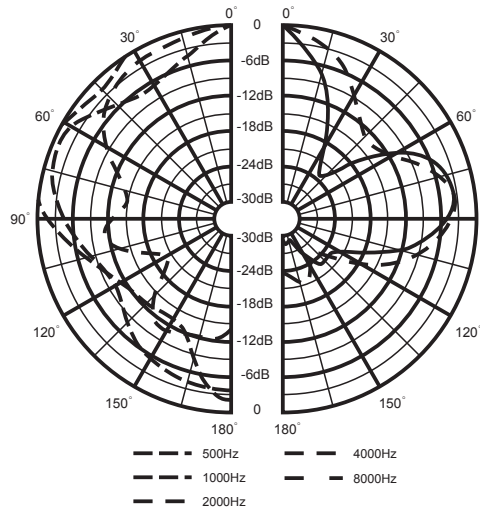
# FREQUENCY RESPONSE



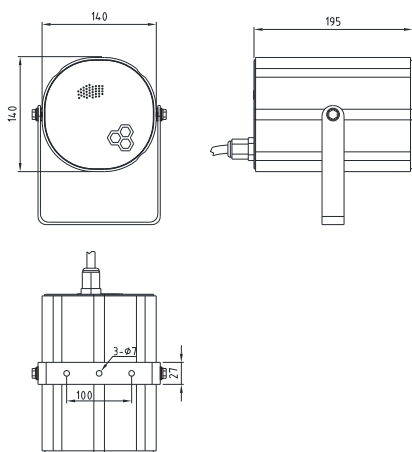
## CIRCUIT DIAGRAM



## POLAR DIAGRAM



## THREE-VIEW DIAGRAM



Honeywell Home and Building Technologies  
Greater China Building Business

HBT-G.C.-HAV-LS-L-VJM10A-EN-EN1.2-Mar.2017-EN01  
©2017 Honeywell International Inc.

**Honeywell**  
THE POWER OF **CONNECTED**