

**PRODUCT** ECO5700M  
 POWER SAVING ELECTRO MAGNETIC LOCKING DEVICE EcoMag™



**Overview**

The patented ECO5700M model is a power saving Electro-Magnetic Lock.

Under normal, non-alarm conditions, the ECO5700M "EcoMag" operates in a low current 'Sleeping Mode' of 70mA@24V with a holding force of 300kg. In the event of an unauthorised attempt to open the door, the ECO5700M "EcoMag" "wakes up" and goes into an Alarm Mode with full current of 300mA@24V applied to the device, instantly increasing the holding force to up to 680kg.

The EcoMag operates on multi voltage 10-26VDC, provides an Early Warning (EW) signal output, has a built-in local Alarm Buzzer, with full monitoring of Lock Status and Door Status and long distance Light Panel indicator.

This device is provided with the FSH patented Anti-Tamper-Plate as standard.

ECO5700M

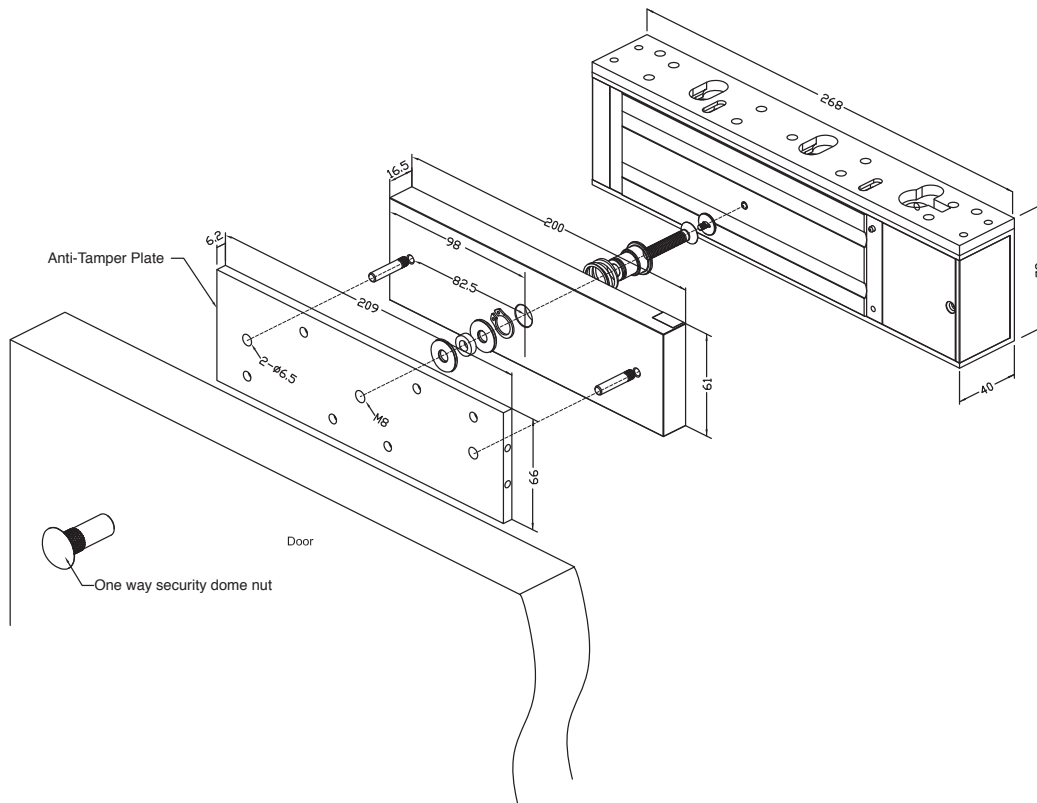
**Specifications**

PART NO.	ECO5700M
FUNCTION	Power To Lock (Fail Safe)
HOLDING STRENGTH	Up to 680kg in 'Alarm-Mode' 300kg in 'Sleep-Mode'
VOLTAGE/CURRENT	Multi Voltage 10-26VDC Sleep-Mode: 12VDC=140mA/24VDC=70mA Alarm-Mode: 12VDC=600mA/24VDC=300mA
MONITORING	Door Status Monitoring Sensor (DSS) Lock Status Monitoring Sensor (LSS) Early Warning Signal Output and Local Alarm Buzzer (EW) Long Distance Light Panel (LP)
SIZE	Magnet: L= 268 W= 40 D= 73mm Armature Plate: L= 209 W= 6.2 D= 66mm

**Features**

- Truly Green product
- Door and Lock Status Monitoring Sensor (DSS & LSS)
- Early Warning signal output and local alarm buzzer (EW)
- Multi Voltage 10-26VDC low power consumption (70mA @ 24VDC Sleep-Mode)
- Long distance Light Panel (LP)
- Zero residual magnetism
- Anti-Tamper-Plate

## Dimensions and Installation



**CENTRAL SECURITY DISTRIBUTION**

1300 319 499  
csd.com.au

VIC: Mulgrave, Tullamarine NSW: Seven Hills, Waterloo ACT: Fyshwick QLD: Loganholme SA: Marleston WA: Balcatta