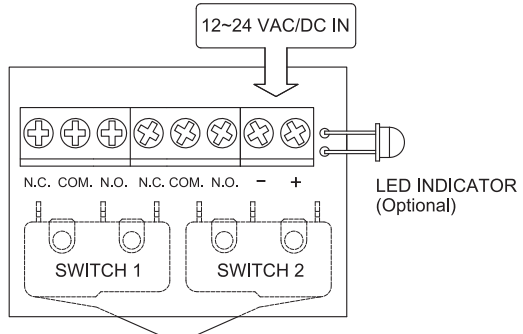
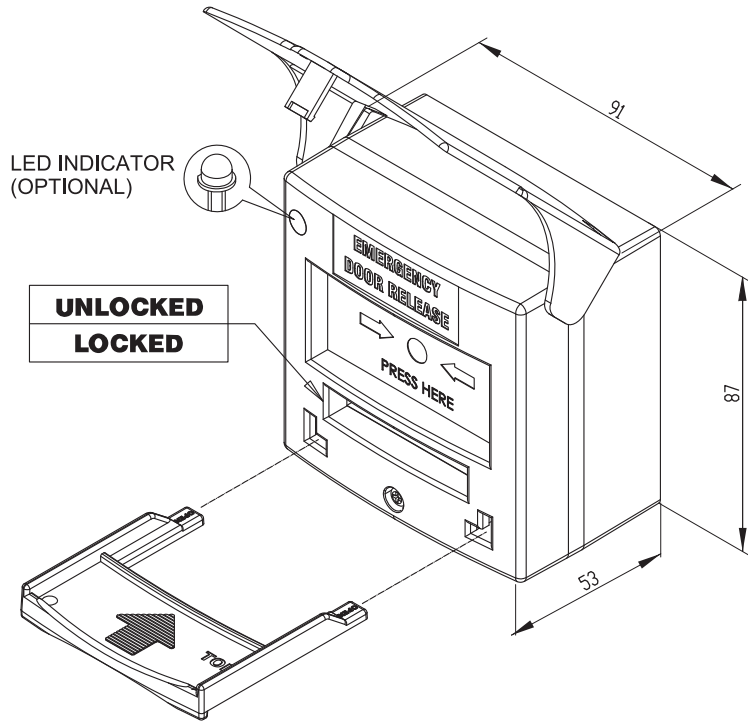


CP-32G SERIES RESETABLE SWITCH CALL POINT

Specifications

Dimensions: 87x91x53 mm
 Contact Resistance: 100mΩ
 Switch rated: 5A 125/250 VAC



Application: (CP-32_LED Series)

