

The Intelligent 2 Door Access Module effectively combines offline stand-alone operation with enhanced feature design. Full support of the advanced Concept access control features (soft/hard/timed anti-passback, dual user, card + PIN, free access via time-zones etc) is provided.

Featuring a flexible modular design with provision for up to 4 doors and 8 readers housed in a smaller chassis, the Intelligent 2 Door Access Module is at the top of the scalability class. A truly dependable module that grows with site demand.

Incredible power and functionality

Plug-on Reader Expander Option (Part 995037PCB&K)

The Plug-on Reader Expander allows the Intelligent 2 Door Access Module and/or 2 Door Expander Board to be expanded to connect up to 4 or 8 card readers

2 Door Expander Board Option (Part 995036PCB&K)

This board provides a 2 door expansion option effectively converting it to an Intelligent 4 Door Access Module



SPECIFICATIONS

Physical

Cabinet Dimensions	460(L) x 358(W) x 85(D) (mm)	
Installation Environment (non-condensing)	0°C - 40°C @15 - 85% Relative humidity	

Electrical

	PCB Versions	Transformer Versions
Mains Input Voltage	N/A	240VAC 50Hz
Mains Input Current	N/A	Max 500mA
Input Voltage to PCB	16-18VAC	
Total Current Limit	Power supply source dependent	3A

Recommended current allowance for battery charging	N/A	300mA
Available Current (for detectors, aux's, relays, local LAN etc).	Power supply source dependent	2A

Fuse Protection

Separate fuses for DET+, LAN, Locks & Readers

Operational Current (no peripherals connected)

Intelligent 2DAM	145mA (Both lock aux's on: 240mA)
- Plug-on Reader Expander	Add 20mA
- 2 Door Expander Board	Add 30mA (Both lock aux's on: 120mA)

Inputs

Zone Inputs	8 General purpose Zone Inputs
Door Inputs	Door reed, REX, REN, Arm & tongue sense per door

Reader Ports

2 (Expandable to 8)

Outputs

Relays 2 (Expandable to 4, typically used for door locks)

Outputs (open collector)

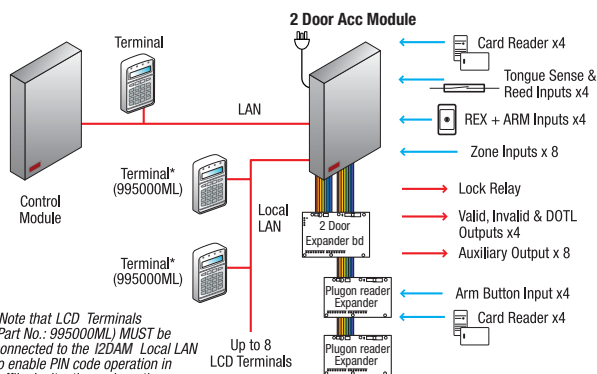
14 expandable to 20 (8 General purpose; separate valid, invalid and DOTL output for each door)

Features:

- On-board 3 amp power supply
- 2 on-board lock relays
- Optically isolated LAN input provides 5kV isolation for protection from surges
- Separate valid, invalid and Door Open Too Long (DOTL) output for each door
- Separate reed, tongue, Request to Enter (REN), Request to Exit (REX) & Arm inputs for each reader
- All card reader interfaces operate with common magnetic swipe and Wiegand readers without the need for any additional interfaces
- Onboard review buffer for offline operation
- Each card reader may be independently configured, allowing a combination of card reader technologies
- Door open too long pre warn function
- 8 General purpose Onboard zone inputs
- Configuration and expansion options Include:
 - 2 Door / 2 Reader - Standard Configuration Part 995035
 - 2 Door / 4 Reader - Requires 1 x Plug-on Reader Expander
 - 4 Door / 4 Reader - Requires 1 x 2 Door Expander Board
 - 4 Door / 6 Reader - Requires 1 x 2 Door Expander Board & 1 x Plug-on Reader Expander
 - 4 Door / 8 Reader - Requires 1 x 2 Door Expander Board & 2 x Plug-on Reader Expanders

Connectivity

The Intelligent 2 Door Access Module is connected directly to the Concept RS485 LAN. Up to 64 modules may be installed in a single panel system.



Ordering Options

995035
Intelligent Two Door Access Module
995035PCB&K
Intelligent Two Door Access Module Short Form Kit



995036PCB&K
Two Door Expander Board
(Contact us for availability)



995037PCB&K
Plug on Reader Expander Board

